

Product features:

- Metal construction throughout
- Custom designed for lower range pressures
- Quarter turn handle action for precise flow control
- Fixed spout to prevent accidental water damage
- Minimalist planate design form

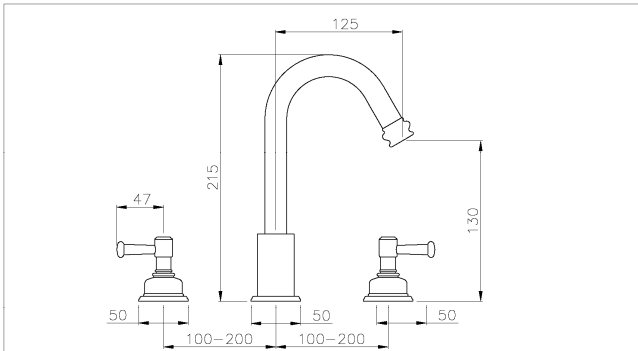
Packaged properties:

Box length: 410 mm **Box depth:** 110 mm
Box width: 280 mm **Boxed weight:** 2.82 kg

Includes pop up waste?: No

Additional comments:

Product dimensions:



- Overall Height / projection: 215 mm
- Exit reach: 125 mm
- Exit height: 130 mm
- Centre distance(s): 100-200 mm
- Base diameter(s): 50 mm
- Product mounted where: Surface
- Recommended hole diameter: 27-44, 25-44, 27-44 mm
- Min. fitting depth required: 0 mm
- Max. surface depth: 50 mm

Gallant deck mounted 3TH basin mixer

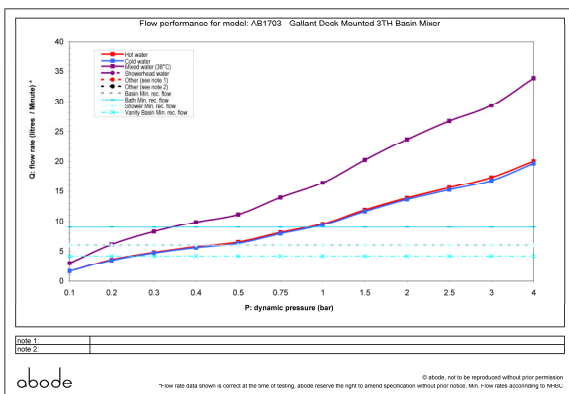
AB1703 v1

(c) abode home products ltd
www.abode.au

our policy is to continually improve and develop products, and accordingly we reserve the right to amend specifications without prior notice

abode

Product flow characteristics:



- Min / Max water pressure: 0.2 / 5.5 bar
- Part G mixed flow rate at 3 bar (l/m): 29.35
- Max water temperature: 70° C
- Product flow characteristics: Single flow
- Aerator type: Neoperl honeycomb, laminar, white screen
- Includes output diverter?: N/A
- Control valve type: 1/2" QT CD (8-20)
- Non return valve position: no
- Mesh particle filter size: n/a
- Inlet / outlet size: 1/2" F / 1/2" F
- Inlet type / length: Flexi / 310 mm
- Shower hose type / length: N/a / n/a

Warranty Summary (Full details available on request):

- Materials and workmanship defects warranted for 5 years
- Valves and working parts warranted for 5 years
- Surface warranty defects warranted for 1 year
- O-rings, hoses & gaskets warranted for 1 year

Care instructions:

- Clean the mixers and showers regularly as required, using soap, do not use any other cleaners.
- Regular cleaning will prevent the build up of lime scale and dirt
- After cleaning rinse thoroughly with clean water to remove any cleaner residue
- Residues of liquid soaps, shampoos and shower foams can also cause damage, so rinse with clean water after using, avoid contact with any abrasives