

# abode *Astbury 3 part mixer c/w independent Hendon Handspray*

**Product Finish:** Chrome

**Product code:** AT3050  
**EAN13 barcode:** 5060344151870



**Product features:**

- Low lead brass construction
- Quarter turn handle action for precise flow control
- Victorian inspired aesthetic
- Integral diverter from spout to sprayhead (spout flow stops when spray activated)
- 5 year limited warranty

**Additional information / Parts included:**

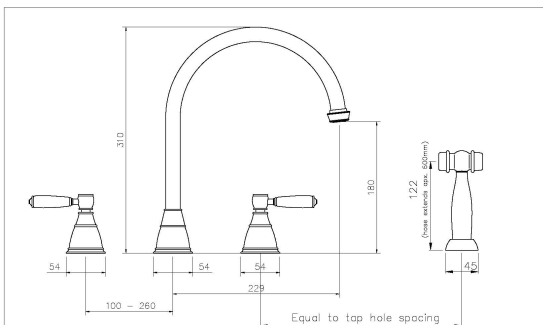
Cache key, allen key 1.5mm

**Packaged properties:**

**Box length (mm):** 600    **Box depth (mm):** 85  
**Box width (mm):** 320    **Units per outer:**

**Tap only weight (kg):**  
**Boxed weight (kg):**

**Product dimensions:**



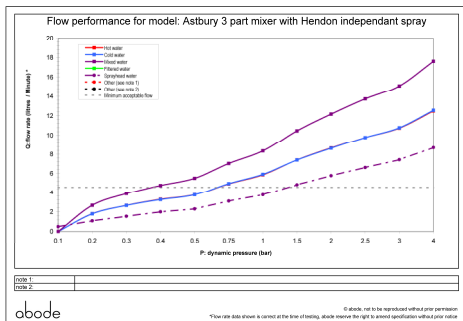
- Overall Height / projection (mm): 310
- Exit reach (mm): 0
- Exit height (mm): 0
- Centre distance(s): (100 - 260mm)
- Base diameter(s) (mm): 54x 54
- Recommended hole diameter (mm): Ø 35
- Max. surface depth (mm): 45
- Spout diameter (mm): 20
- Spout aerator size: M20

ASTBURY 3 PART MIXER WITH INDEPENDANT HENDON SIDESPRAY



© abode home products ltd  
 All rights reserved. No part of this publication may be reproduced, stored in a retrieval system or transmitted in any form or by any means, electronic, mechanical, photocopying, recording or otherwise, without the prior written permission of abode home products ltd.

**Product flow characteristics:**



- Min / Max water pressure (bar): 1.00 / 5.5
- Recommended / Max water temperature: 46°C / 70°C
- Part G - Mixed flow rate at 3 bar (litres / min): 15.10

- Control valve type: Ceramic disc QT
- Product flow characteristics: Single flow
- Non-return/Check valve(s): Integral to sprayhead

- Aerator type: Neoperl SLIM AIR CCSLC – STD flow class V
- Accepts revolve / spray areator: No
- Spout connection method: Locking collar

- Tail pipe inlet / outlet size: 1/2" BSP Male / M10 x 1/2" F
- Inlet pipe type / length (mm): fixed threaded inlets / 350

**Care instructions summary:**

- Clean the product regularly using a mild washing up liquid, do not use any other cleaners.
- Regular cleaning will prevent the build up of lime scale and dirt
- After cleaning rinse thoroughly with clean water to remove any cleaner residue
- Residues of sink & worktop cleaners can also cause damage, so rinse with clean water after using, avoid contact with any abrasives

**Warranty Summary** (Full details available on request):

- Materials and workmanship defects warranted for 5 years
- Valves and working parts warranted for 5 years
- Surface warranty defects warranted for 5 years
- O-rings, hoses & gaskets warranted for 5 years

