



S H O W E R
W A L L

ACRYLIC
INSTALLATION GUIDE

CONTENTS

INTRODUCTION	03
TOOLS & EQUIPMENT	03
INSTALLATION	04
OTHER ADVICE & GUIDANCE	08















INTRODUCTION

This guide outlines the correct procedure for fitting your Showerwall Acrylic bathroom panels. Prior to commencing installation please carefully read this installation guide in full and ensure panels are acclimatised for 48–72 hours in normal indoor conditions.

It is important that you follow and adhere to all of the instructions to ensure the most effective use of the product. To maintain the validity of your guarantee you must follow the installation instructions provided. Failure to do this will make all aspects of the guarantee invalid. The product colours/décor should be confirmed as acceptable by the consumer/end user prior to installation by the installer. **Please note that Showerwall acrylic panels MUST be installed by a qualified installer.**




If there is any aspect of your particular installation that these instructions do not cover please clarify any queries before commencing your installation via the Showerwall helpline; 0333 344 8493. Your particular installation may require specific procedures and adjustments.

TOOLS & EQUIPMENT REQUIRED

					
Safety Glasses	Safety Gloves	Dust Mask	Safety Footwear	Measuring Tape	Masking Tape
					
Combination Square	Spirit Level	Circular Saw / Jigsaw	Fine tooth blade labelled for plastics and acrylics	Workbench	Sacrificial Panel (for cutting/drilling)
					
Sandpaper (600-Grit)	Clamps				

SHOWERWALL INSTALLATION KIT

Delivered with your Showerwall panels you will find an installation kit to aid fitting – there will be one kit per panel. Each kit contains the following:

	2x Alcohol Surface Preparation Wipes		3x Translucent Silicone Sealant		12x Double-Sided Adhesive Pads
Removes dust and grease to promote optimal adhesion prior to installation.		High-grab, moisture-resistant silicone for full-surface bonding and sealing of joints, corners and perimeter edges. Creates a durable, watertight finish.		Provides temporary positioning support and immediate panel hold while silicone cures. Helps ensure accurate alignment and reduced slip.	

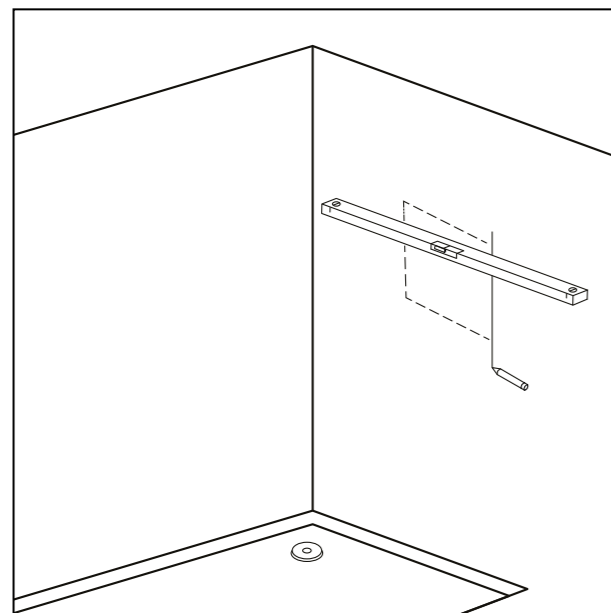
INSTALLATION

Stage 1

PREPARING THE AREA

It's important the area where panels are to be fitted is prepared correctly to ensure the best fitting result. Make sure the following points are understood and carried out accordingly.

- ✔ Walls must be level within 2mm, dry, clean, and free of grease or loose material.
- ✔ Seal recently plastered walls with PVA and allow to dry.
- ✔ Use an oil and silicone-free cleaner on wall surfaces before installation.
- ✔ Ensure wall colour is consistent. Contrasting colours could show through the panel in some circumstances.



Note
If areas of the wall run out by more than 2mm, mark this area so additional silicone can be applied to level the panel during final installation.

Stage 2

PATTERN MATCHING, MEASURING & CUTTING PANELS

Next prepare your panels so they are suitable for the area they are to be fitted in.

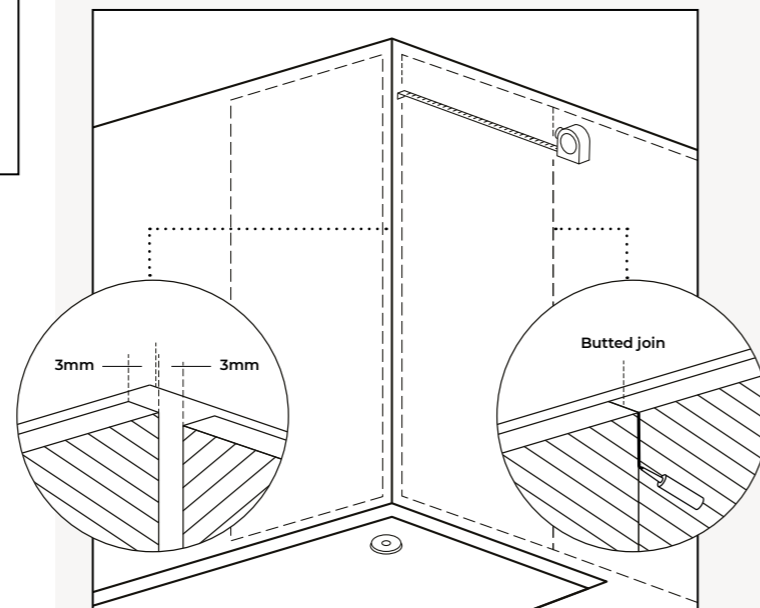
Note
Protective Film: Always keep the protective film on the reverse of the panels. This safeguards the printed designs during handling and installation.

Leave the protective film on the decorative face while measuring and cutting. This helps prevent scratches or surface damage. Only remove the film once the panel is ready to be adhered to the wall.

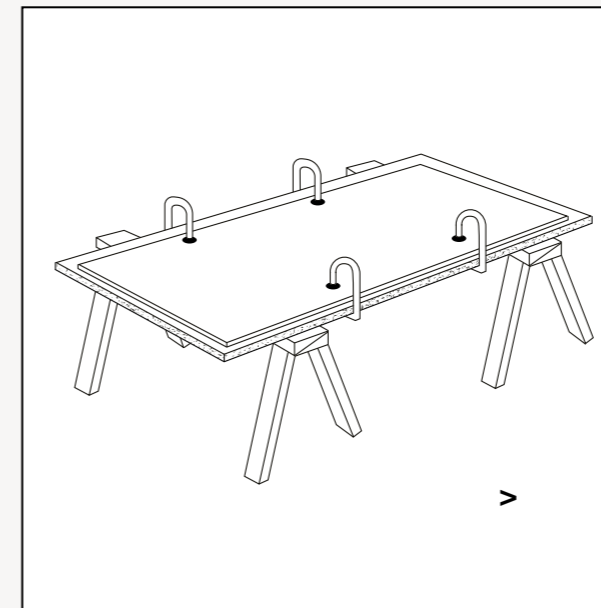
Pattern-matched Designs: For designs which pattern-match, panels are clearly marked with coloured dots and numbers. These must be followed to ensure correct sequence and alignment.

1. **Measure & Plan** Carefully measure the area to be covered and determine the final panel layout, including joint positions and any required cuts. Ensure all panel sizes are confirmed before cutting or applying translucent silicone sealant. We recommend dry-fitting the panels prior to installation to check alignment and fit.

Allow for Expansion Showerwall Acrylic Panels require an expansion gap to accommodate natural movement after installation. Panels should be butted together and sealed at the joints. Leave a 3mm expansion gap around all outer edges (perimeter walls, ceiling, shower trays, baths, and internal corners where applicable). This expansion gap allows for minor panel movement once installed. Failure to allow for expansion may result in bowing, joint stress, or surface distortion after installation.



2. Measure and mark cuts clearly on panels using masking tape.
3. Cut panels making sure to fully support flat on a sacrificial board using clamps to secure.

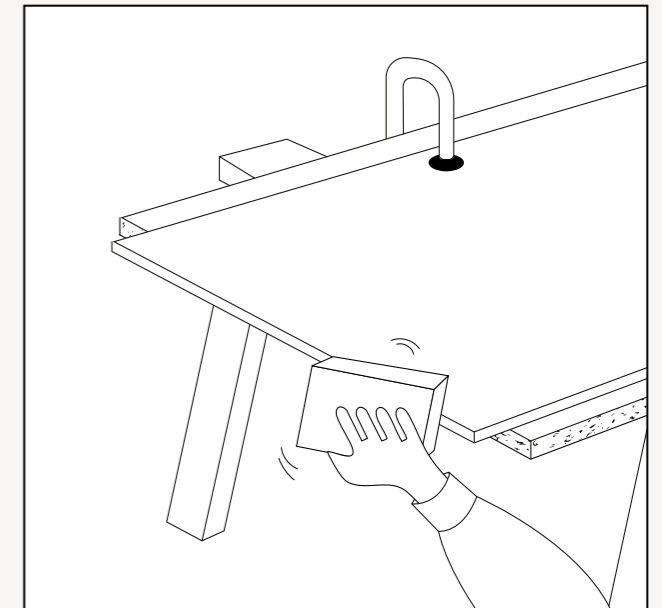


Note
Saw Orientation: When using a plunge saw the decorative side of the panel should face up. When using a circular saw the decorative side of the panel should face down.



Note
Blade Settings: Always use a new fine-tooth blade with a minimum of 48 teeth and triple-chip. Set cutting depth to panel thickness + rail (approx. 5mm) and cut in one steady pass at 3000–4500 RPM.

INSTALLATION



4. Finish any cut edges or cut-outs within panel using 600-grit sandpaper to ensure a uniform edge and allow optimal light transmission.

Note
Internal cut-outs must have 4mm radiused corners.



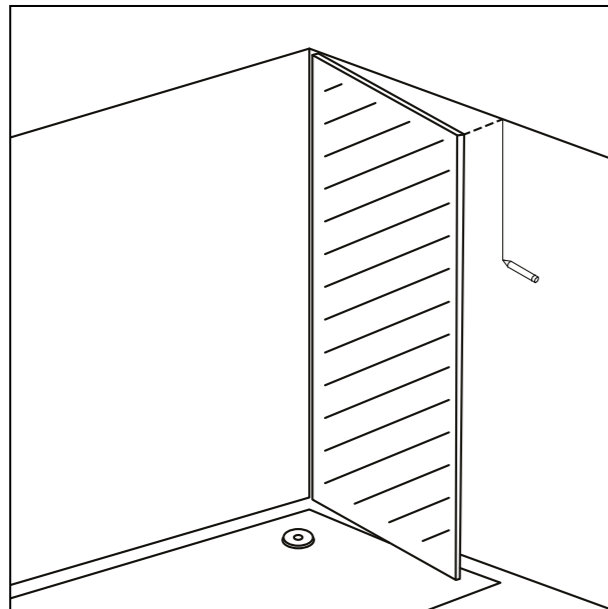
INSTALLATION

Stage 3

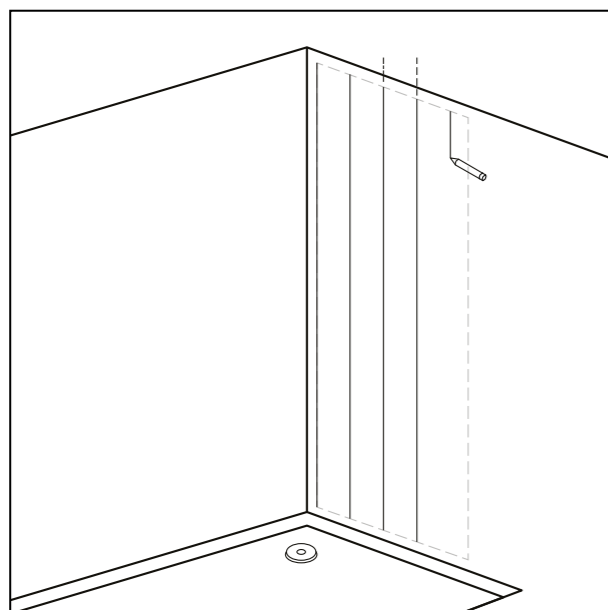
MARKING & APPLYING SILICONE

Before final installation check your panels have been prepared correctly and apply adhesive ready to fit.

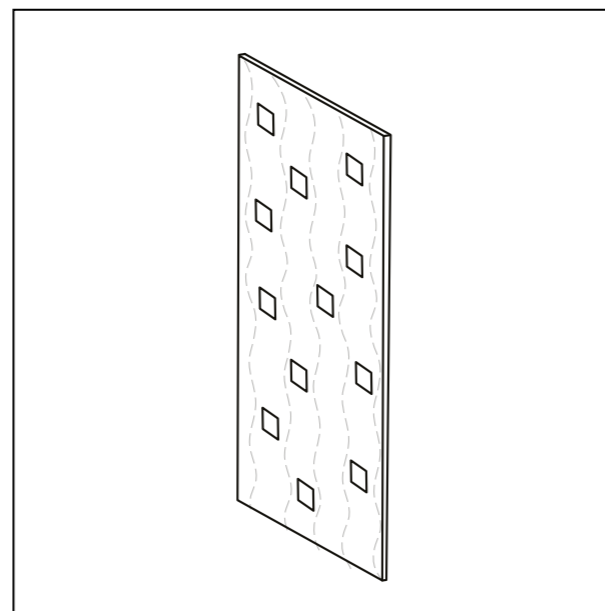
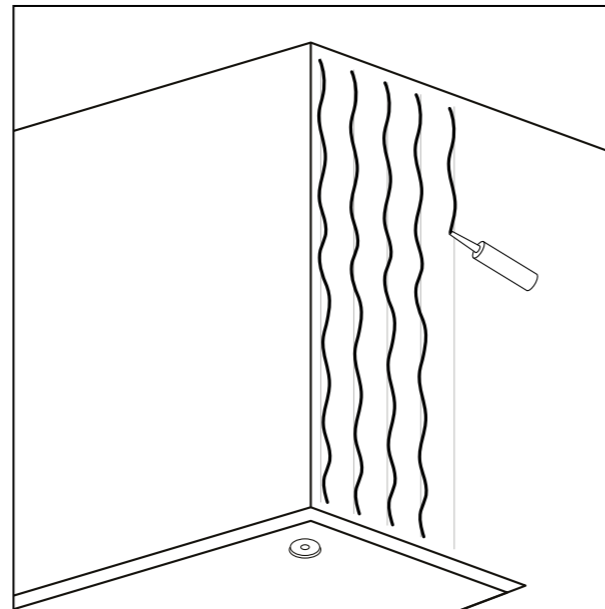
1. Dry fit your prepared panels and mark final positions on wall.



2. Mark vertical pencil lines at 100 mm intervals on the wall to guide sealant application.



3. Apply 6mm vertical beads of silicone to the wall following the marked lines. Vertical beads of sealant ensure that, should water penetrate behind the panel, it can drain through.



4. Thoroughly clean the back of panel/s with supplied alcohol wipes.
5. Apply the supplied double sided adhesive pads to the panel in the areas between the silicone beads. The pads will help the panel adhere to the wall during the silicone curing process.

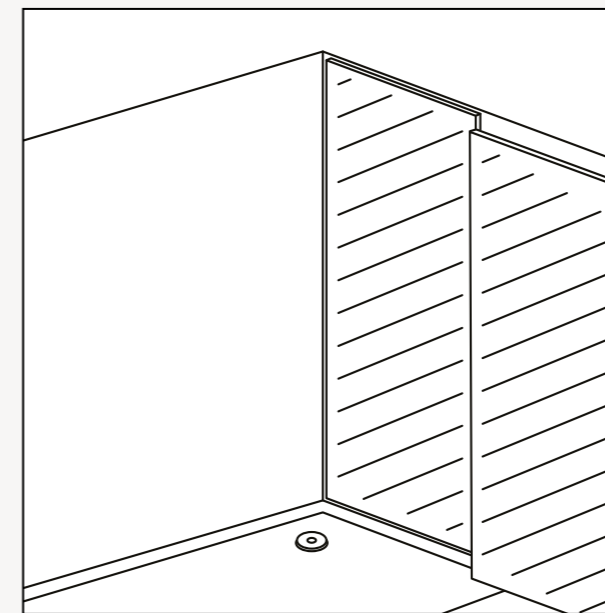
INSTALLATION

Stage 4

FITTING & SEALING

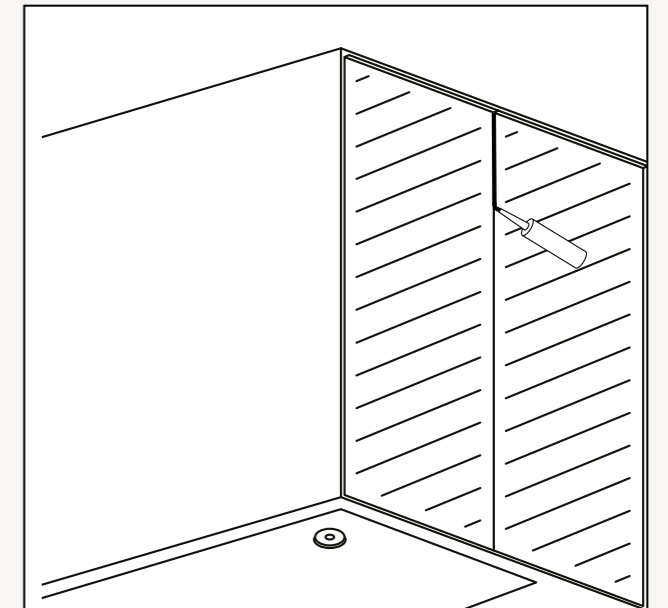
Finally, fit the panels to your wall and seal accordingly.

1. Carefully place each panel in the marked positions, take care not to press the panel onto the silicone pads until the exact position is finalised.



2. Once happy with panel positions, evenly apply pressure across the face of the panel to compress the silicone beads and adhere the adhesive pads to the wall.

Note
Allow 24 hours for silicone to cure, **prior to sealing.**



3. Seal expansion gaps and panel edges with the supplied Showerwall silicone; remove excess immediately.

Note
Allow 4 hours for silicone sealed areas to cure prior to use.



OTHER ADVICE & GUIDANCE

- ✔ Handle panels with care. Always store flat to prevent bowing and avoid impact, bending or excessive pressure.
- ✔ Inspect panels for defects before and during installation, and leave the protective sheet on the front side of the panel **until ready to fit**.
- ✔ Use the correct tools for installation and always use Showerwall Translucent silicone sealant, applying at all specified points.
- ✔ If using a router to cut panels make sure a guide is used with a straight TCT cutter and a minimum cutting speed of 4500 m/min.
- ✔ If using a jigsaw to cut panels, choose a fine-tooth blade, labelled for plastics or acrylics
- ✔ When drilling, always fully support panels on a sacrificial board and clamp securely. Use HSS bi-metal twist drills (60°-90° point angle), drill at low speed and ensure all holes are de-burred after drilling.
- ✔ For hole saws, drill halfway through, flip the panel, and complete the hole.

Good to know

WHAT NOT TO DO

- ✘ Store panels outside or in wet/humid conditions.
- ✘ Store panels on edge or propped against a wall.
- ✘ Use abrasive cleaners or bleach.
- ✘ Install panels without sealing every joint.





CARE, MAINTENANCE & GUARANTEE DETAILS



CARE AND MAINTENANCE

Showerwall is more hygienic and easier to maintain than tiles. The nonporous surface provides excellent protection against bacteria, especially in the areas between tiles that are traditionally grouted. Showerwall Anti-bacterial cleaner kills germs and keeps hard surfaces clean without scratching and is recommended for the optimum life and performance of your Showerwall panel.



Abrasive cleaners and bleaches must not be used on Showerwall panelling. Sealant needs to be replaced at regular intervals - failure to do so may cause water ingress and subsequent panel damage.

Showerwall provide a cleaner that has been selected and tested for use with our products.

Showerwall Anti-bacterial cleaner 500ml.

GUARANTEE

When installed correctly using the recommended fitting guide and accessories, Showerwall is guaranteed to be free from defects for 30 years, from the date of purchase. A copy of the Showerwall guarantee is available to download from www.showerwall.co.uk.

Note your Showerwall panels carry a 30-year guarantee that is limited to domestic use against manufacturing defects, only when registered online at www.showerwall.co.uk. If the purchase of your panels is not registered within 28 days of the installation being completed, then the guarantee is reduced to a 15-year term.



DISCLAIMER

Any reference to Showerwall waterproof panelling system refers to all elements of the Showerwall system being fitted together. Showerwall panels must be fitted in accordance with the fitting instructions and must use Showerwall trims, including Sureseal, sealant and adhesives as appropriate, to ensure the system is both waterproof and guaranteed. Due to variations in the photographic and printing processes the colours shown may vary compared to the actual product. Natural stone decors will vary to replicate variances in this type of material, and there will generally be shade variances between individual panels which is not grounds for complaint. All panels, irrelevant of decor type, must be inspected carefully before installation. Any concerns raised must be clarified prior to installation. It is recommended that actual product samples and retailer displays are viewed prior to purchase.

We reserve the right to amend the specification of the products shown without prior notice. E&OE.

INSTALLATION DATE	PANEL BATCH NO.
INSTALLER DETAILS	

The Stylish Alternative to Tiles.

0333 344 8493

info@showerwall.co.uk

www.showerwall.co.uk

